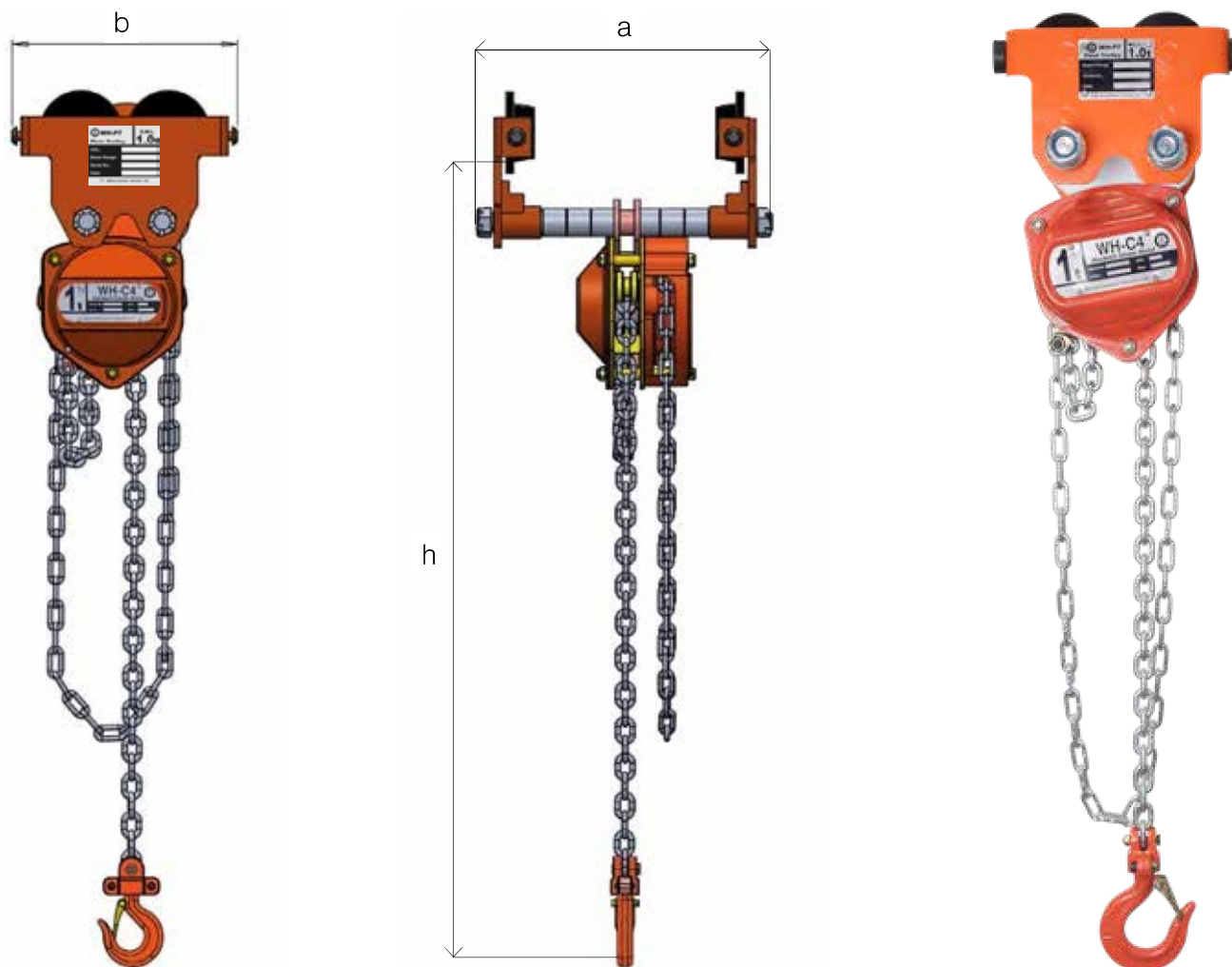


WH-C4 Combined Chain Hoist and Push Trolley

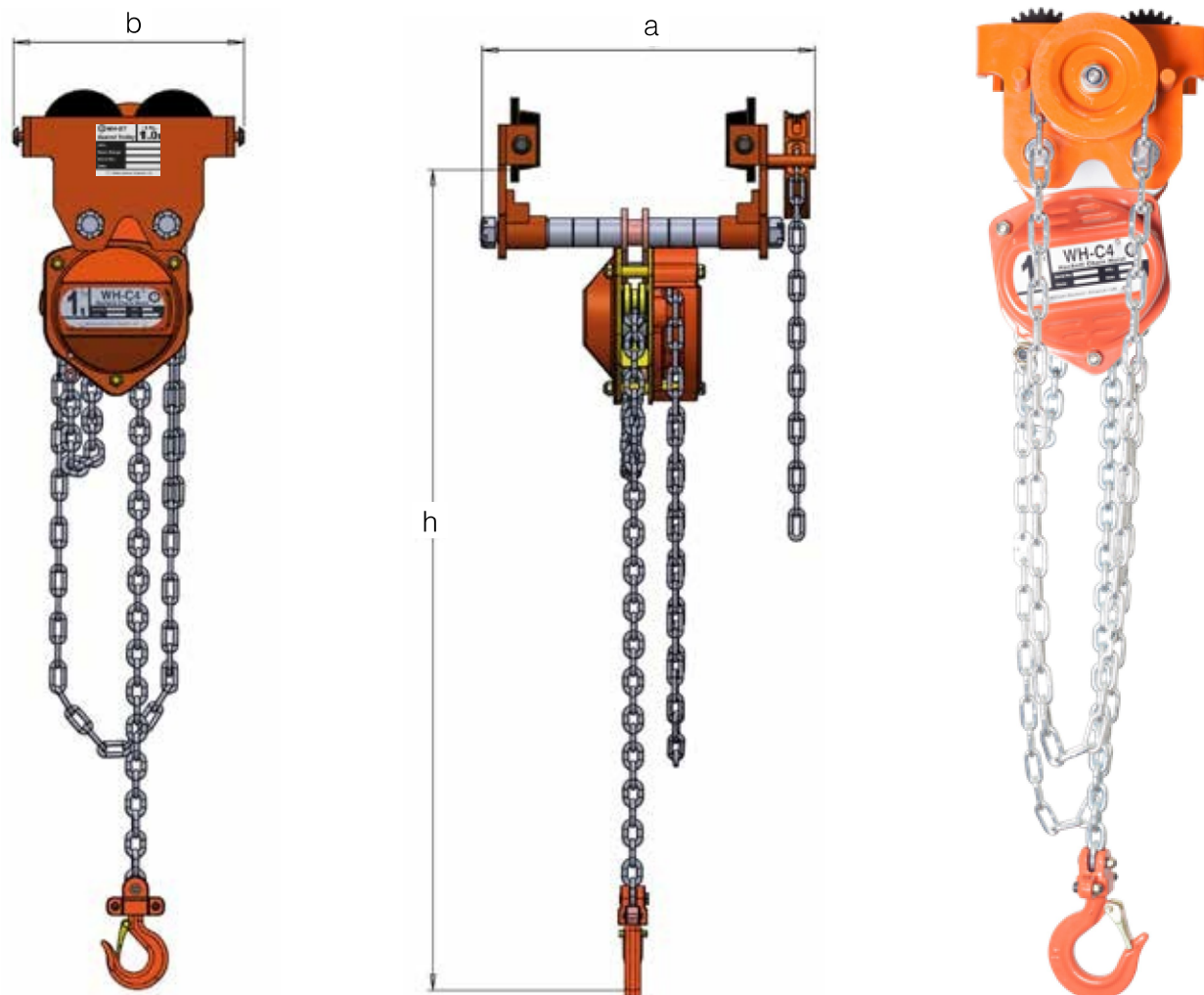
Specifications and Dimensions



Part Code	WLL tonnes	No. of Falls	Beam Range 1 mm	Beam Range 2 mm	a max mm	b mm	h min mm	Mass Kg Range 1 3m HOL	Mass Kg Range 2 3m HOL
066.050	0.5	1	50 - 203	-	294	190	295	14.6	-
066.100	1.0	1	64 - 203	64 - 305	311	206	305	22.4	24.1
066.200	2.0	1	88 - 203	88 - 305	324	246	437	31.9	33.7
066.320	3.2	2	100 - 203	100 - 305	348	300	493	50.1	52.9
066.500	5.0	2	114 - 203	114 - 305	369	336	573	77.4	81.1

WH-C4 Combined Chain Hoist and Geared Trolley

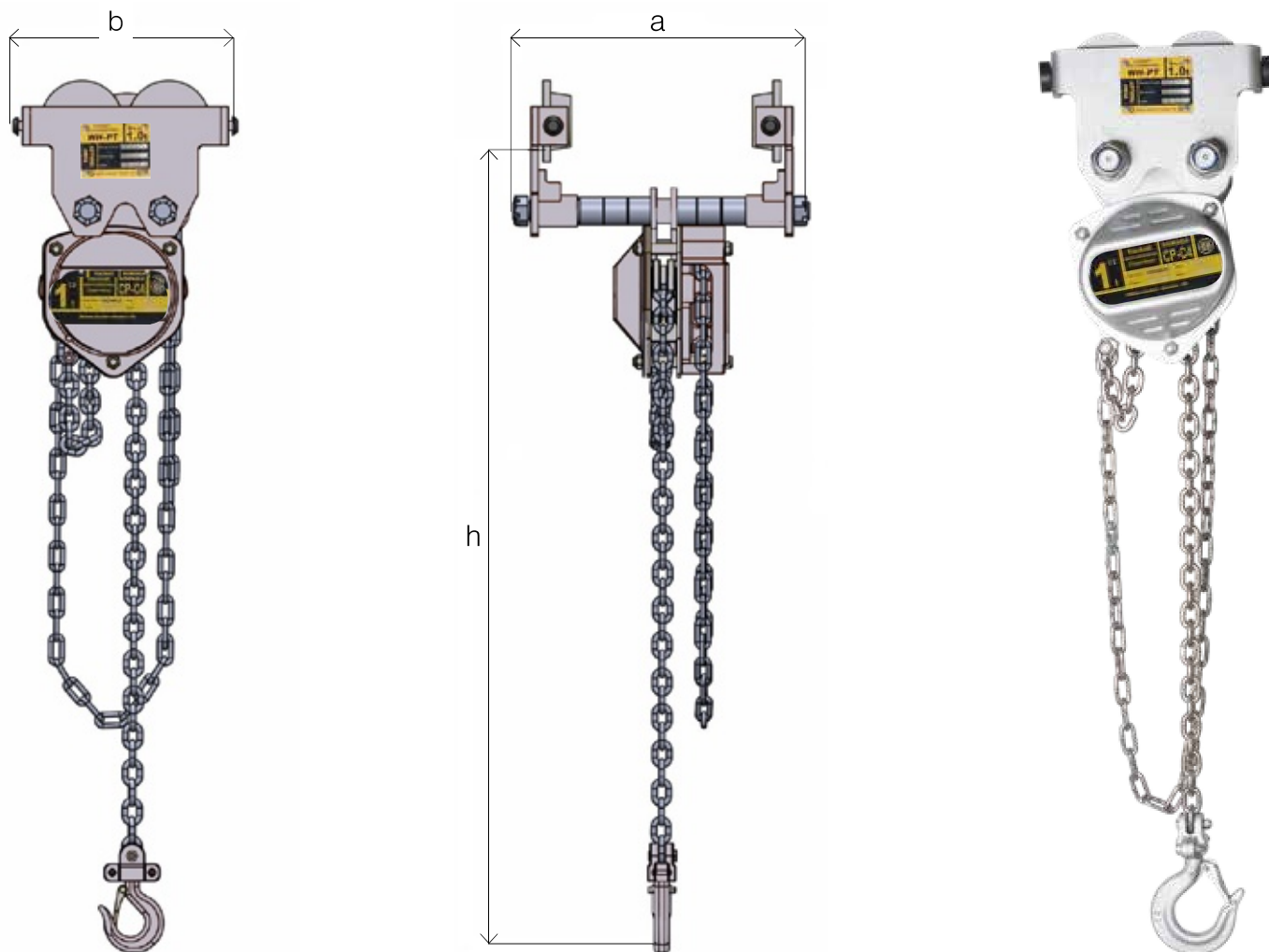
Specifications and Dimensions



Part Code	WLL tonnes	No.of Falls	Beam Range 1 mm	Beam Range 2 mm	a max mm	b mm	h min mm	Mass Kg Range 1 3m HOL	Mass Kg Range 2 3m HOL
067.050	0.5	1	50 - 203	-	232	190	295	17.4	-
067.100	1.0	1	64 - 203	64 - 305	332	206	305	23.4	24.8
067.200	2.0	1	88 - 203	88 - 305	341	246	437	34.0	35.8
067.320	3.2	2	100 - 203	100 - 305	359	300	493	52.6	55.4
067.500	5.0	2	114 - 203	114 - 305	366	336	573	80.1	84.2

CP-C4 Corrosion Resistant Combined Chain Hoist and Push Trolley

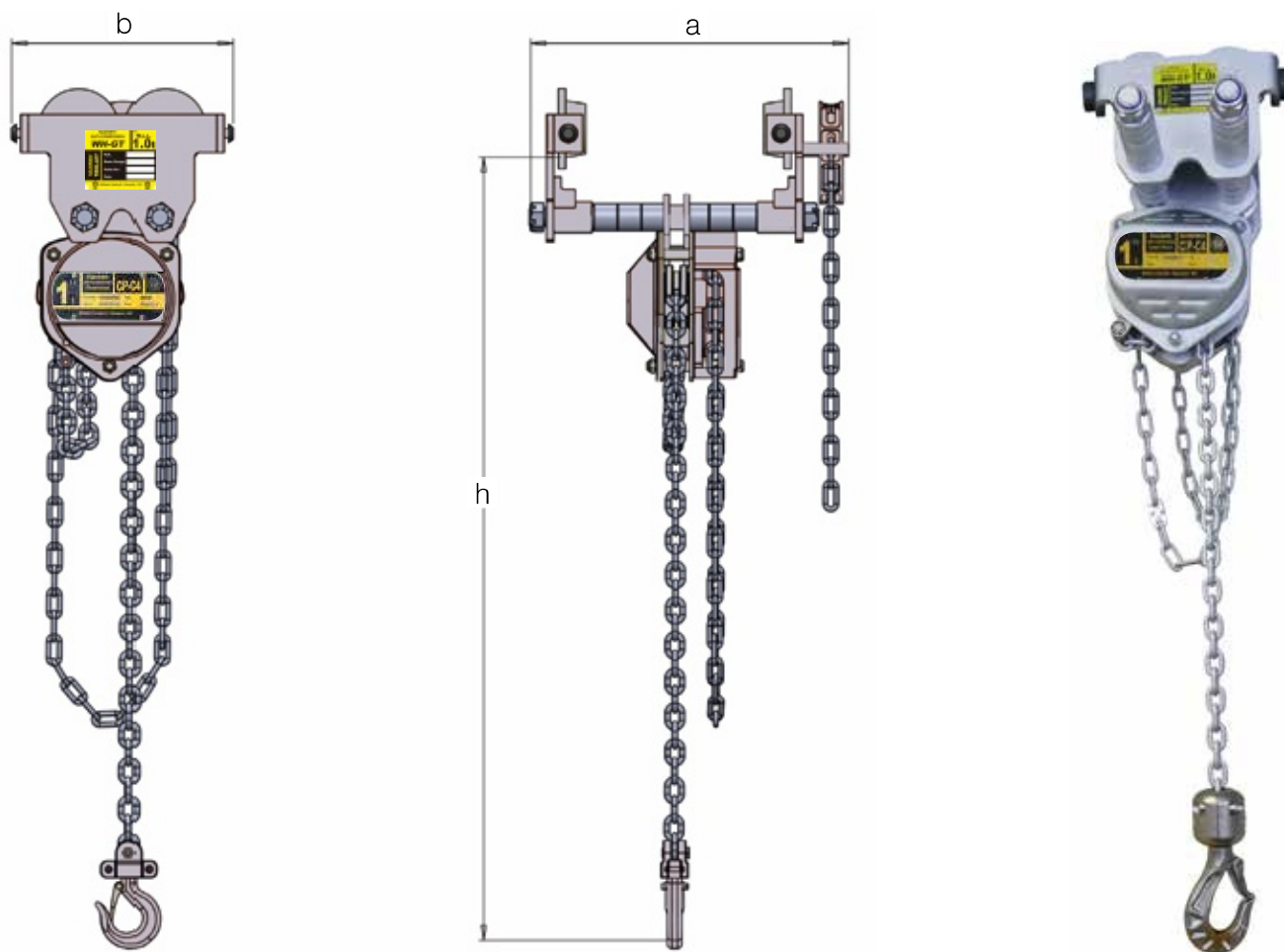
Specifications and Dimensions



Part Code	WLL tonnes	No.of Falls	Beam Range 1 mm	Beam Range 2 mm	a max mm	b mm	h min mm	Mass Kg Range 1 3m HOL	Mass Kg Range 2 3m HOL
066.050.CP	0.5	1	50 - 203	-	294	190	295	14.6	-
066.100.CP	1.0	1	64 - 203	64 - 305	311	206	305	22.4	24.1
066.200.CP	2.0	1	88 - 203	88 - 305	324	246	437	31.9	33.7

CP-C4 Corrosion Resistant Combined Chain Hoist and Geared Trolley

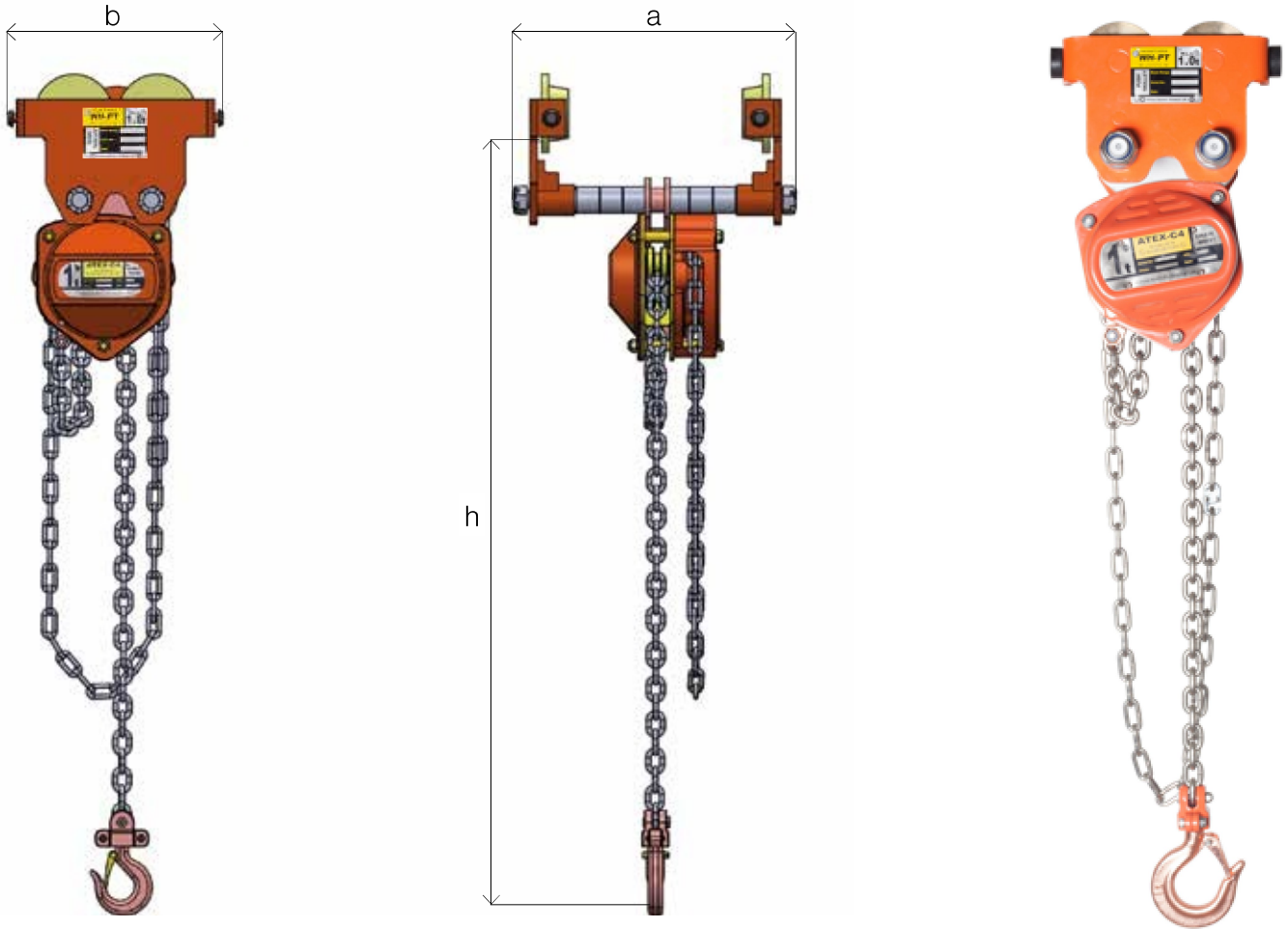
Specifications and Dimensions



Part Code	WLL tonnes	No.of Falls	Beam Range 1 mm	Beam Range 2 mm	a max mm	b mm	h min mm	Mass Kg Range 1 3m HOL	Mass Kg Range 2 3m HOL
067.050.CP	0.5	1	50 - 203	-	232	190	295	17.4	-
067.100.CP	1.0	1	64 - 203	64 - 305	332	206	305	23.4	24.8
067.200.CP	2.0	1	88 - 203	88 - 305	341	246	437	34.0	35.8

ATEX-C4 Combined Chain Hoist and Push Trolley

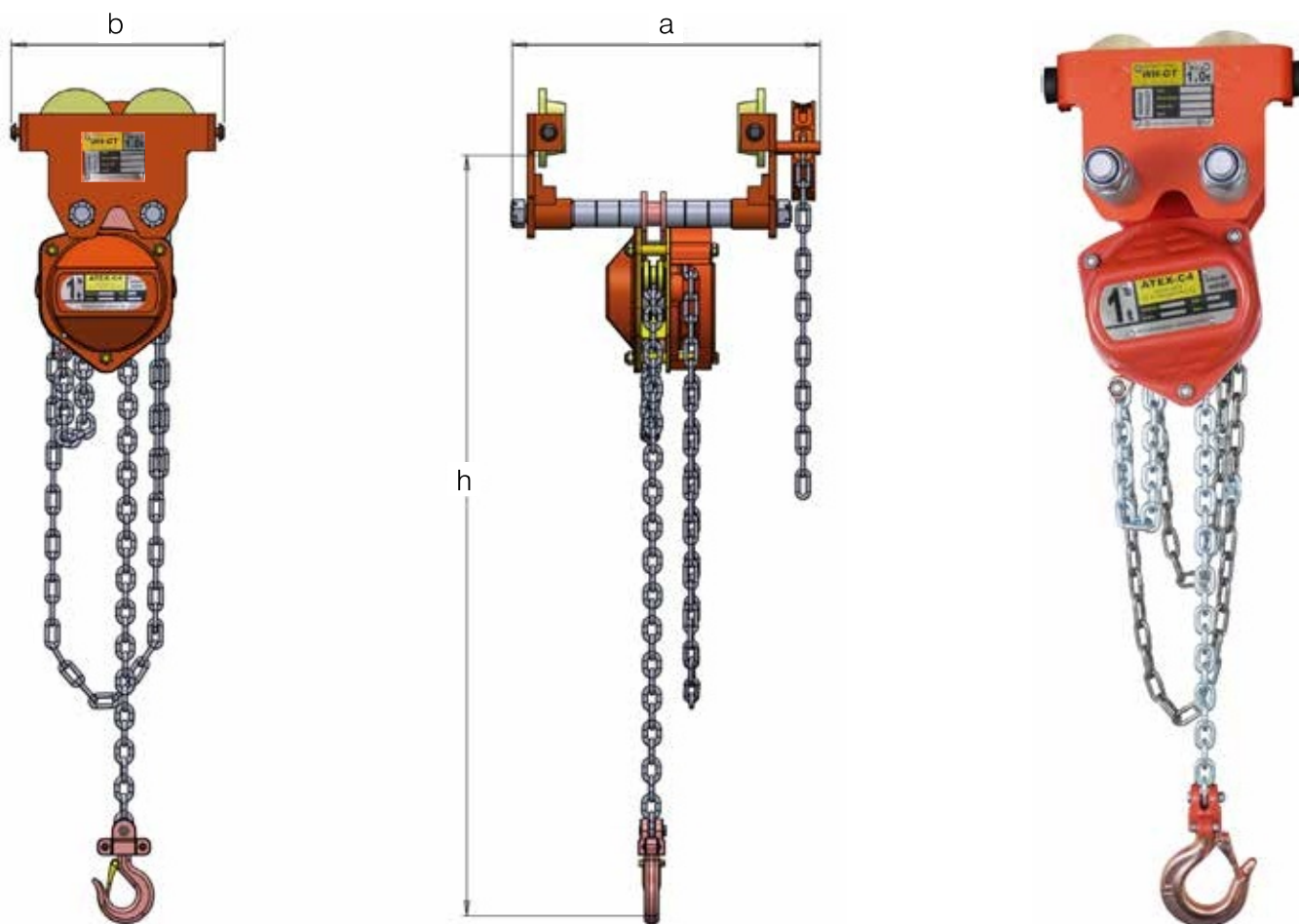
Specifications and Dimensions



Part Code	WLL tonnes	No.of Falls	Beam Range 1 mm	Beam Range 2 mm	a max mm	b mm	h min mm	Mass Kg Range 1 3m HOL	Mass Kg Range 2 3m HOL
066.ATEX.050	0.5	1	50 - 203	-	294	190	314	14.6	-
066.ATEX.100	1.0	1	64 - 203	64 - 305	311	206	340	22.4	24.1
066.ATEX.200	2.0	1	88 - 203	88 - 305	324	246	400	31.9	33.7

ATEX-C4 Combined Chain Hoist and Geared Trolley

Specifications and Dimensions



Part Code	WLL tonnes	No. of Falls	Beam Range 1 mm	Beam Range 2 mm	a max mm	b mm	h min mm	Mass Kg Range 1 3m HOL	Mass Kg Range 1 3m HOL
067.ATEX.050	0.5	1	50 - 203	-	320	200	314	17.4	-
067.ATEX.100	1.0	1	64 - 203	64 - 305	333	232	340	23.4	24.8
067.ATEX.200	2.0	1	88 - 203	88 - 305	342	260	400	34.0	35.8