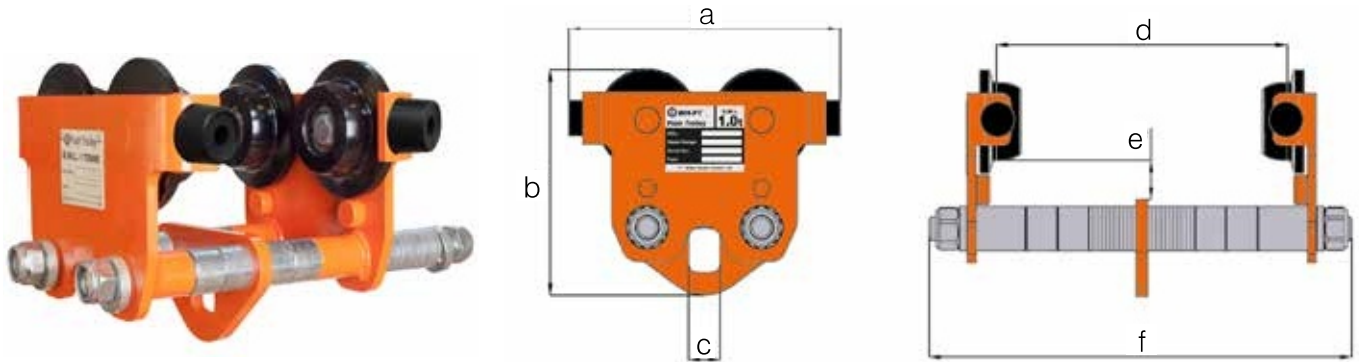


WH-PT Push Trolley

Specifications and Dimensions



| Part Code | WLL tonnes | Min. Radius of Curve m | a mm | b mm | c mm | e mm |
|-----------|------------|------------------------|------|------|------|------|
| 044.050 | 0.5 | 0.80 | 190 | 154 | 22 | 27 |
| 044.100 | 1.0 | 0.90 | 206 | 180 | 30 | 26 |
| 044.200 | 2.0 | 1.00 | 246 | 210 | 37 | 26 |
| 044.320 | 3.2 | 1.20 | 300 | 249 | 42 | 28 |
| 044.500 | 5.0 | 1.30 | 336 | 277 | 50 | 37 |
| 044.1000 | 10.0 | 2.00 | 396 | 334 | 58 | 37 |

Standard Range 1

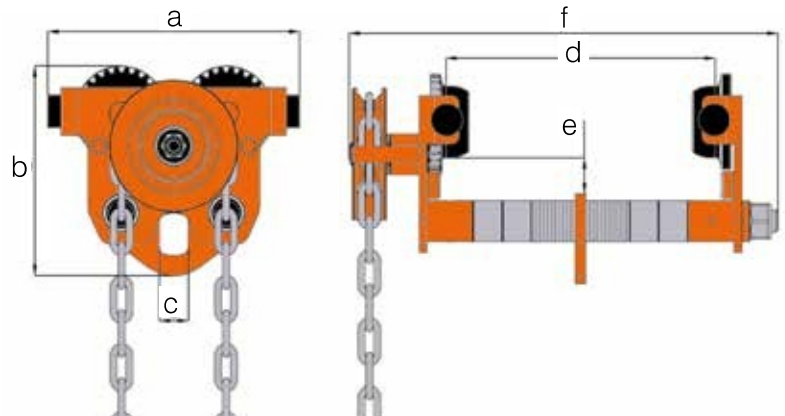
| WLL tonnes | I Beam width mm | d Max. Width mm | f Max. mm | Mass Kg |
|------------|-----------------|-----------------|-----------|---------|
| 0.5 | 50-203 | 203 | 294 | 6.6 |
| 1.0 | 64-203 | 203 | 311 | 9.4 |
| 2.0 | 88-203 | 203 | 324 | 14.5 |
| 3.2 | 100-203 | 203 | 348 | 25.7 |
| 5.0 | 114-203 | 203 | 369 | 37.3 |
| 10.0 | 124-203 | 203 | 384 | 59.0 |

Extended Range 2

| WLL tonnes | I Beam width mm | d Max. Width mm | f Max. mm | Mass Kg |
|------------|-----------------|-----------------|-----------|---------|
| 1.0 | 64-305 | 305 | 413 | 11.1 |
| 2.0 | 88-305 | 305 | 426 | 16.3 |
| 3.2 | 100-305 | 305 | 450 | 28.5 |
| 5.0 | 114-305 | 305 | 471 | 41.0 |
| 10.0 | 124-305 | 305 | 486 | 64.0 |

WH-GT Geared Trolley

Specifications and Dimensions



| Part Code | WLL tonnes | HOL m | Min. Radius of Curve m | a mm | b mm | c mm | e mm |
|-----------|------------|-------|------------------------|------|------|------|------|
| 055.050 | 0.5 | 3.0 | 0.8 | 190 | 154 | 22 | 27 |
| 055.100 | 1.0 | 3.0 | 0.9 | 206 | 180 | 30 | 26 |
| 055.200 | 2.0 | 3.0 | 1.0 | 246 | 210 | 37 | 26 |
| 055.320 | 3.2 | 3.0 | 1.2 | 300 | 249 | 42 | 28 |
| 055.500 | 5.0 | 3.0 | 1.3 | 336 | 277 | 50 | 37 |
| 055.1000 | 10.0 | 3.0 | 2.0 | 396 | 334 | 58 | 37 |

Standard Range 1

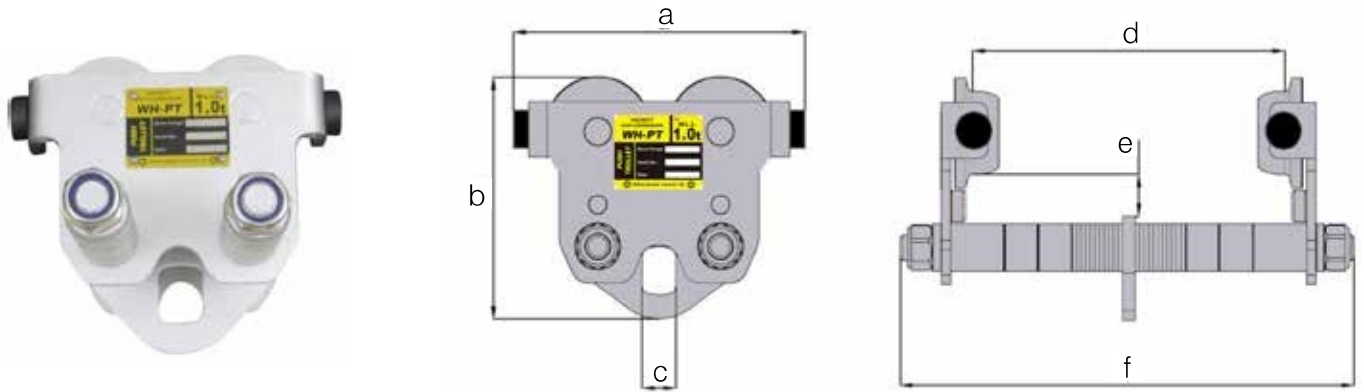
| WLL tonnes | I Beam width mm | d Max. Width mm | f Max. mm | Mass Kg |
|------------|-----------------|-----------------|-----------|---------|
| 0.5 | 50-203 | 203 | 323 | 9.6 |
| 1.0 | 64-203 | 203 | 332 | 12.3 |
| 2.0 | 88-203 | 203 | 341 | 17.2 |
| 3.2 | 100-203 | 203 | 359 | 28.4 |
| 5.0 | 114-203 | 203 | 366 | 40.1 |
| 10.0 | 124-203 | 203 | 386 | 62.0 |

Extended Range 2

| WLL tonnes | I Beam width mm | d Max. Width mm | f Max. mm | Mass Kg |
|------------|-----------------|-----------------|-----------|---------|
| 1.0 | 64-305 | 305 | 434 | 13.7 |
| 2.0 | 88-305 | 305 | 443 | 19.0 |
| 3.2 | 100-305 | 305 | 461 | 31.2 |
| 5.0 | 114-305 | 305 | 468 | 44.2 |
| 10.0 | 124-305 | 305 | 488 | 67.0 |

WH-PT Corrosion Resistant Push Trolley

Specifications and Dimensions



| Part Code | WLL tonnes | Min. Radius of Curve m | a mm | b mm | c mm | e mm |
|------------|------------|------------------------|------|------|------|------|
| 044.050.CP | 0.5 | 0.8 | 190 | 154 | 22 | 27 |
| 044.100.CP | 1.0 | 0.9 | 206 | 180 | 30 | 26 |
| 044.200.CP | 2.0 | 1.0 | 246 | 210 | 37 | 26 |
| 044.300.CP | 3.2 | 1.2 | 300 | 249 | 42 | 28 |
| 044.500.CP | 5.0 | 1.3 | 336 | 277 | 50 | 37 |

Standard Range 1

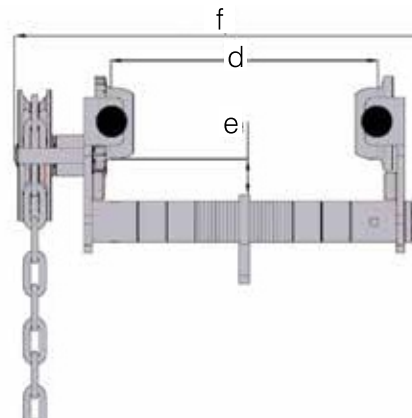
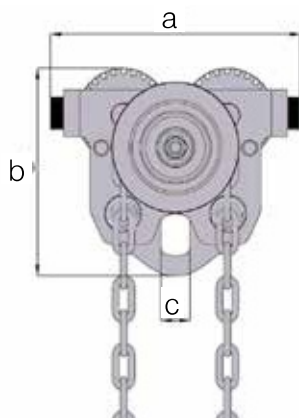
| WLL tonnes | I Beam width mm | d Max. Width mm | f Max. mm | Mass Kg |
|------------|-----------------|-----------------|-----------|---------|
| 0.5 | 50-203 | 203 | 294 | 6.6 |
| 1.0 | 64-203 | 203 | 311 | 9.4 |
| 2.0 | 88-203 | 203 | 324 | 14.5 |
| 3.2 | 100-203 | 203 | 348 | 25.7 |
| 5.0 | 114-203 | 203 | 369 | 37.3 |

Extended Range 2

| WLL tonnes | I Beam width mm | d Max. Width mm | f Max. mm | Mass Kg |
|------------|-----------------|-----------------|-----------|---------|
| 1.0 | 64-305 | 305 | 413 | 11.1 |
| 2.0 | 88-305 | 305 | 426 | 16.3 |
| 3.2 | 100-305 | 305 | 450 | 28.5 |
| 5.0 | 114-305 | 305 | 471 | 41.0 |

WH-GT Corrosion Resistant Geared Trolley

Specifications and Dimensions



| Part Code | WLL tonnes | Min. Radius of Curve m | a mm | b mm | c mm | e mm |
|------------|------------|------------------------|------|------|------|------|
| 055.050.CP | 0.5 | 0.8 | 190 | 154 | 22 | 27 |
| 055.100.CP | 1.0 | 0.9 | 206 | 180 | 30 | 26 |
| 055.200.CP | 2.0 | 1.0 | 246 | 210 | 37 | 26 |
| 055.300.CP | 3.2 | 1.2 | 300 | 249 | 42 | 28 |
| 055.500.CP | 5.0 | 1.3 | 336 | 277 | 50 | 37 |

Standard Range 1

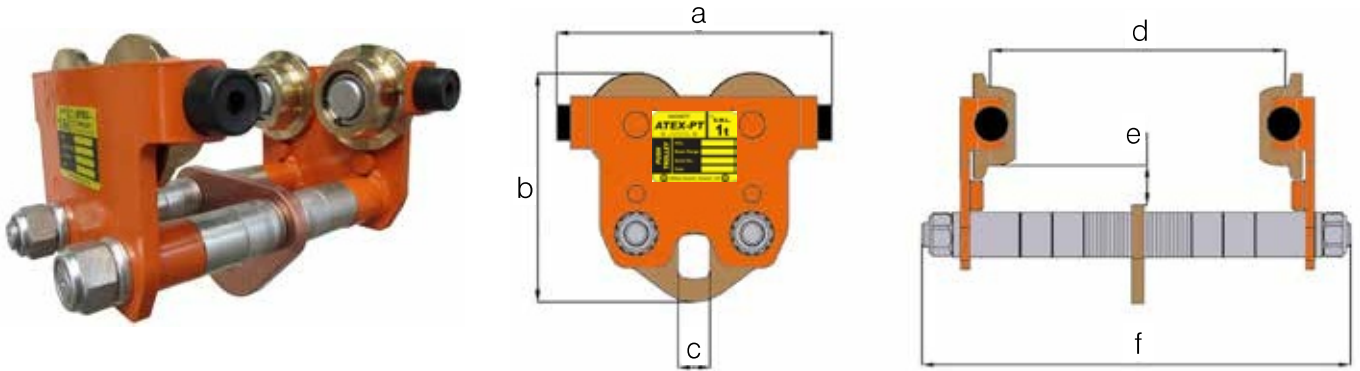
| WLL tonnes | I Beam width mm | d Max. Width mm | f Max. mm | Mass Kg |
|------------|-----------------|-----------------|-----------|---------|
| 0.5 | 50-203 | 203 | 323 | 9.6 |
| 1.0 | 64-203 | 203 | 332 | 12.3 |
| 2.0 | 88-203 | 203 | 341 | 17.2 |
| 3.2 | 100-203 | 203 | 359 | 28.4 |
| 5.0 | 114-203 | 203 | 366 | 40.1 |

Extended Range 2

| WLL tonnes | I Beam width mm | d Max. Width mm | f Max. mm | Mass Kg |
|------------|-----------------|-----------------|-----------|---------|
| 1.0 | 64-305 | 305 | 434 | 13.7 |
| 2.0 | 88-305 | 305 | 443 | 19.0 |
| 3.2 | 100-305 | 305 | 461 | 31.2 |
| 5.0 | 114-305 | 305 | 468 | 44.2 |

WH-PT ATEX Push Trolley

Specifications and Dimensions



| Part Code | WLL tonnes | Min. Radius of Curve m | a mm | b mm | c mm | e mm |
|--------------|------------|------------------------|------|------|------|------|
| 044.ATEX.050 | 0.5 | 0.8 | 190 | 154 | 22 | 27 |
| 044.ATEX.100 | 1.0 | 0.9 | 206 | 180 | 30 | 26 |
| 044.ATEX.200 | 2.0 | 1.0 | 246 | 210 | 37 | 26 |


Standard Range 1

| WLL tonnes | I Beam width mm | d Max. Width mm | f Max. mm | Mass Kg |
|------------|-----------------|-----------------|-----------|---------|
| 0.5 | 50-203 | 203 | 294 | 6.6 |
| 1.0 | 64-203 | 203 | 311 | 9.4 |
| 2.0 | 88-203 | 203 | 324 | 14.5 |

Extended Range 2

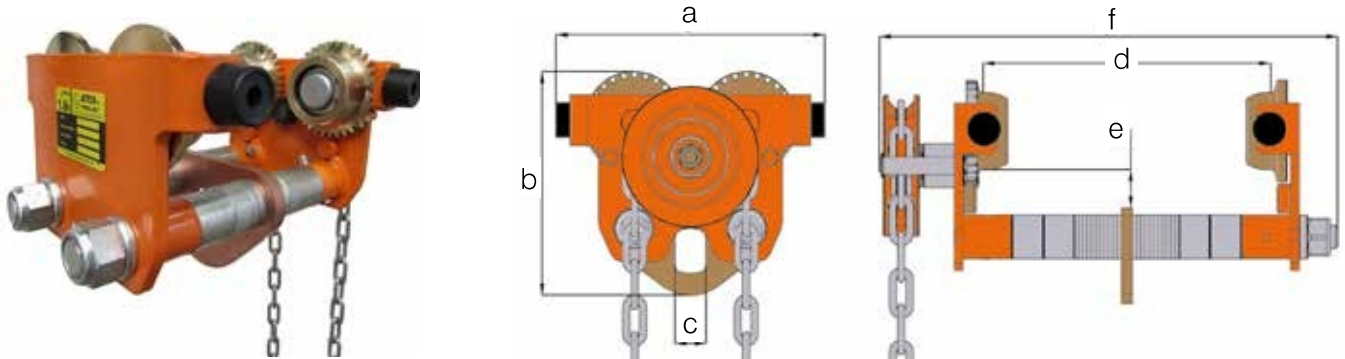
| WLL tonnes | I Beam width mm | d Max. Width mm | f Max. mm | Mass Kg |
|------------|-----------------|-----------------|-----------|---------|
| 1.0 | 64-305 | 305 | 413 | 11.1 |
| 2.0 | 88-305 | 305 | 426 | 16.3 |

Ex II 2 GD c IIC T4 IIIC T135°C

| II | 2 | GD | c | IIC | T4 | IIIC | T135°C | | |
|---|---|----|---|-----|----|------|--------|---------------|--|
|  | | | | | | | | T135°C | Dust Temperature Class: Maximum external surface temperature 135°C |
| | | | | | | | | IIIC | Groups of Dust: Protected for group IIIC which includes groups IIIA & IIIB |
| | | | | | | | | T4 | Gas Temperature Class: Maximum external surface temperature 135°C |
| | | | | | | | | IIC | Gas Explosion Group: Protected for group IIC which includes groups IIA & IIB |
| | | | | | | | | c | Protection type: Design safety |
| | | | | | | | | GD | Ex Atmosphere: Gas and Dust |
| | | | | | | | | 2 | Category: High Safety |
| | | | | | | | | II | Equipment Group: surface industries |

WH-GT ATEX Geared Trolley

Specifications and Dimensions



| Part Code | WLL tonnes | Min. Radius of Curve m | a mm | b mm | c mm | e mm |
|--------------|------------|------------------------|------|------|------|------|
| 055.ATEX.050 | 0.5 | 0.8 | 190 | 154 | 22 | 27 |
| 055.ATEX.100 | 1.0 | 0.9 | 206 | 180 | 30 | 26 |
| 055.ATEX.200 | 2.0 | 1.0 | 246 | 210 | 37 | 26 |


Standard Range 1

| WLL tonnes | I Beam width mm | d Max. Width mm | f Max. mm | Mass Kg |
|------------|-----------------|-----------------|-----------|---------|
| 0.5 | 50-203 | 203 | 323 | 9.6 |
| 1.0 | 64-203 | 203 | 332 | 12.3 |
| 2.0 | 88-203 | 203 | 341 | 17.2 |

Extended Range 2

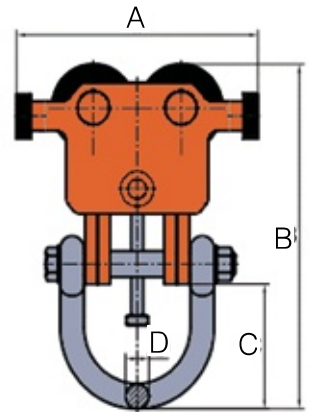
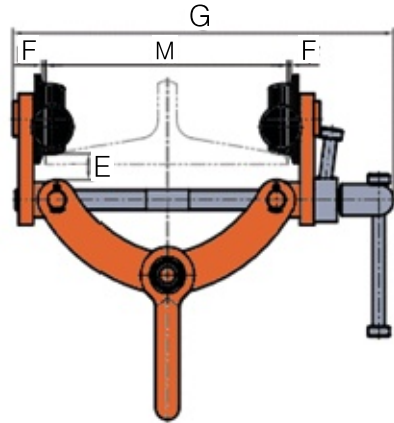
| WLL tonnes | I Beam width mm | d Max. Width mm | f Max. mm | Mass Kg |
|------------|-----------------|-----------------|-----------|---------|
| 1.0 | 64-305 | 305 | 434 | 13.7 |
| 2.0 | 88-305 | 305 | 443 | 19.0 |

Ex II 2 GD c IIC T4 IIIC T135°C

| II | 2 | GD | c | IIC | T4 | IIIC | T135°C | | |
|---|-------------------------------------|----|---|-----|----|------|--------|---------------|--|
|  | | | | | | | | T135°C | Dust Temperature Class: Maximum external surface temperature 135°C |
| | | | | | | | | IIIC | Groups of Dust: Protected for group IIIC which includes groups IIIA & IIIB |
| | | | | | | | | T4 | Gas Temperature Class: Maximum external surface temperature 135°C |
| | | | | | | | | IIC | Gas Explosion Group: Protected for group IIC which includes groups IIA & IIB |
| | | | | | | | | c | Protection type: Design safety |
| | | | | | | | | GD | Ex Atmosphere: Gas and Dust |
| | | | | | | | | 2 | Category: High Safety |
| II | Equipment Group: surface industries | | | | | | | | |

WH-AT Adjustable Push Trolley

Specifications and Dimensions



| Part Code | WLL tonnes | Min. Radius of Curve m | A mm | B mm | C mm | D mm | E mm | F mm | G mm | Beam Width M mm | Mass Kg |
|-----------|------------|------------------------|------|-----------|------|------|------|------|------|-----------------|---------|
| 014.200 | 2.0 | 0.7 | 204 | 276 - 322 | 100 | 20 | 21 | 2.5 | 320 | 76 - 203 | 8.1 |
| 014.320 | 3.2 | 1.1 | 246 | 334 - 374 | 111 | 20 | 25 | 2.5 | 330 | 76 - 203 | 14.3 |
| 014.600 | 6.0 | 1.4 | 286 | 384 - 463 | 124 | 25 | 33 | 3.0 | 454 | 100 - 305 | 27.4 |