

Dual Speed Chain Hoist Design Features

The design and specification of the William Hackett Dual Speed chain hoist includes:

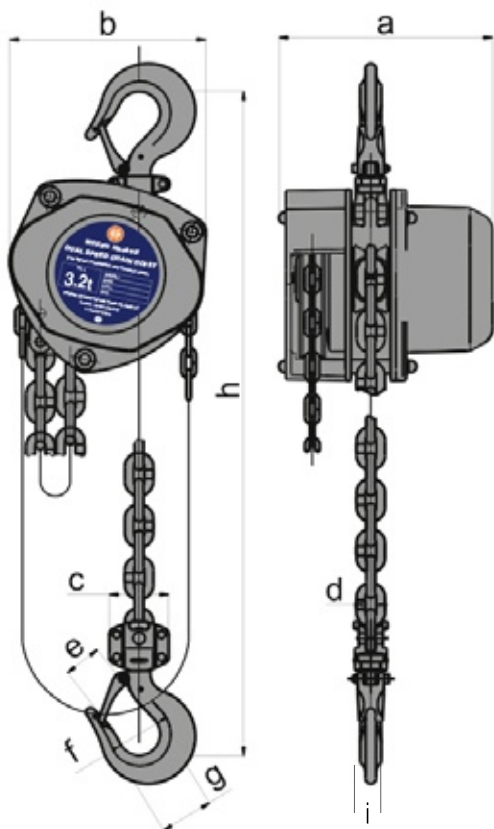
- **SPEED:** when the hoist is loaded, the lifting and lowering speed will be the same as a regular chain hoist, but the Load Sensing Automatic Speed Transmission enables the hoist to lift 5 times faster than a regular chain hoist when not under load.
- **WORKING LOAD LIMIT RANGE:** 3.2 to 50 tonnes.
- **LIGHT LOAD CAPABILITY:** the Dual Speed chain hoist is tested and certified at 2% of the lever hoist rated capacity.
- **TWIN PAWL:** double safety; fitted as standard.
- **SAFETY FACTOR:** 4:1.
- **SAFETY LATCHES:** the Dual Speed chain hoist top and bottom hooks are fitted with heavy duty cast steel latches. The latch and hook tips are integrated creating a strong and robust hook closure.
- **OVERLOAD INDICATOR MARKS:** the Dual Speed chain hoist top and bottom hooks have, as part of the hook forging, overload indicator marks either side of the hook throat (3.2t - 5t).
- **HOOK HOUSING:** the Dual Speed chain hoist top and bottom hook housings are secured with socket head cap screws/hex head bolts and nyloc insert locking nuts to allow full inspection.
- **FLEETING/CROSS HAULING:** the Dual Speed chain hoist has been independently tested and verified (Test Report 2550-7615) for fleeting or cross hauling applications at angles up to 45° from the vertical without deration.
- **LOAD CHAIN:** the Dual Speed chain hoists are fitted with load chain that fully complies with international standard BS EN818-7 Grade T (8).
- **TEMPERATURE RANGE:** -40°C to +120°C.
- **PROOF TESTED:** every hoist is proof tested to 1.5 times the Working Load Limit.
- **MANUFACTURED** in the UK.



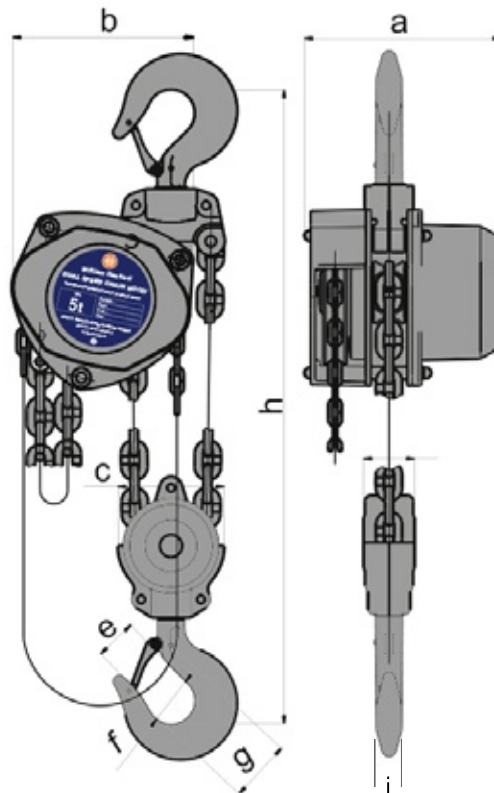
Dual Speed Chain Hoist

Specifications and Dimensions

Single Fall



Multi Fall



Part Code	WLL t	No. of Falls	a mm	b mm	c mm	d mm	e mm	f mm	g mm	h mm	i mm	Mass Kg 3m HOL
023.DS.323	3.2	1	247	227	68.5	38.5	43	49.5	62	465	25.7	27.2
023.DS.503	5.0	2	247	275	133.0	64.0	51	60.0	79	600	33.5	38.4
023.DS.753	7.5	3	247	366	120.0	70.0	64	85.0	-	740	42.1	62.2
023.DS.1003	10.0	4	247	358	263.0	95.0	64	85.0	-	760	41.0	71.4
023.DS.1503	15.0	6	275	485	110.0	168.0	80	100.0	-	1000	58.6	120.7
023.DS.2003	20.0	8	285	648	286.0	123.0	82	110.0	-	1150		157.5
023.DS.3003	30.0	12	285	780	306.0	180.0	82	110.0	-	1500	55.2	220.7
023.DS.5003	50.0	20	585	832	480.0	310.0	133	170.0	-	1700	146.0	465.0